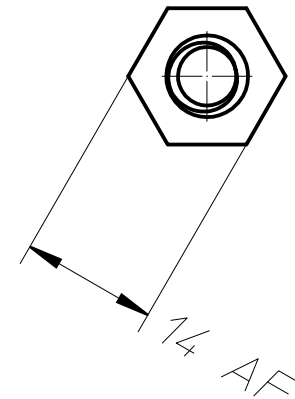
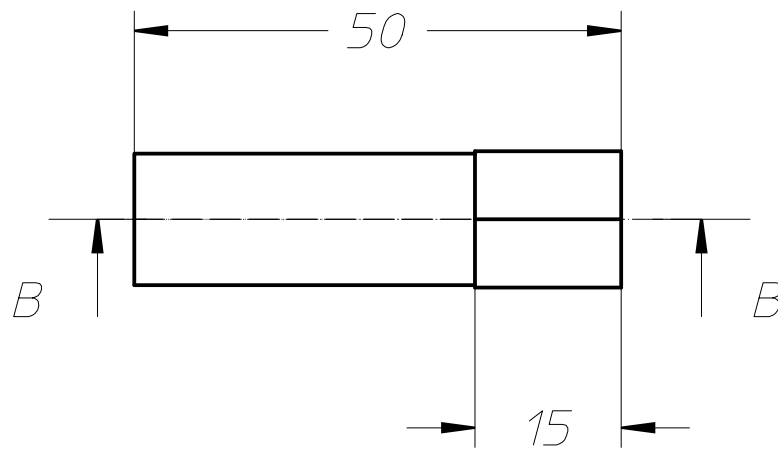
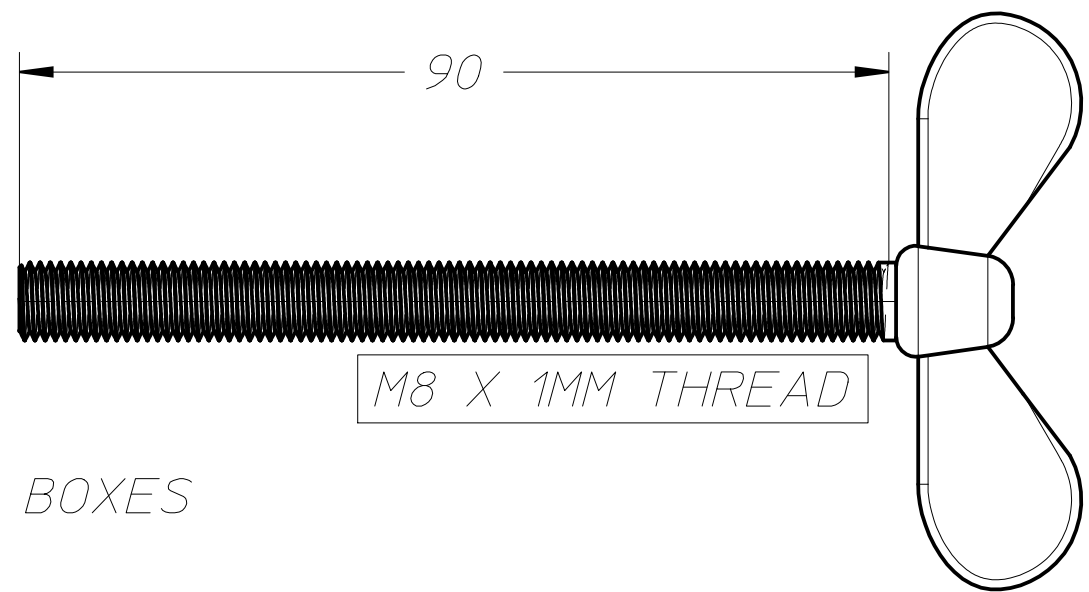


CLUTCH LET DOWN TOOL

BMW PART : 21-2-600

3 REQ.

CRITICAL DIMENSIONS SHOWN IN BOXES



M8 X 1MM THREAD

